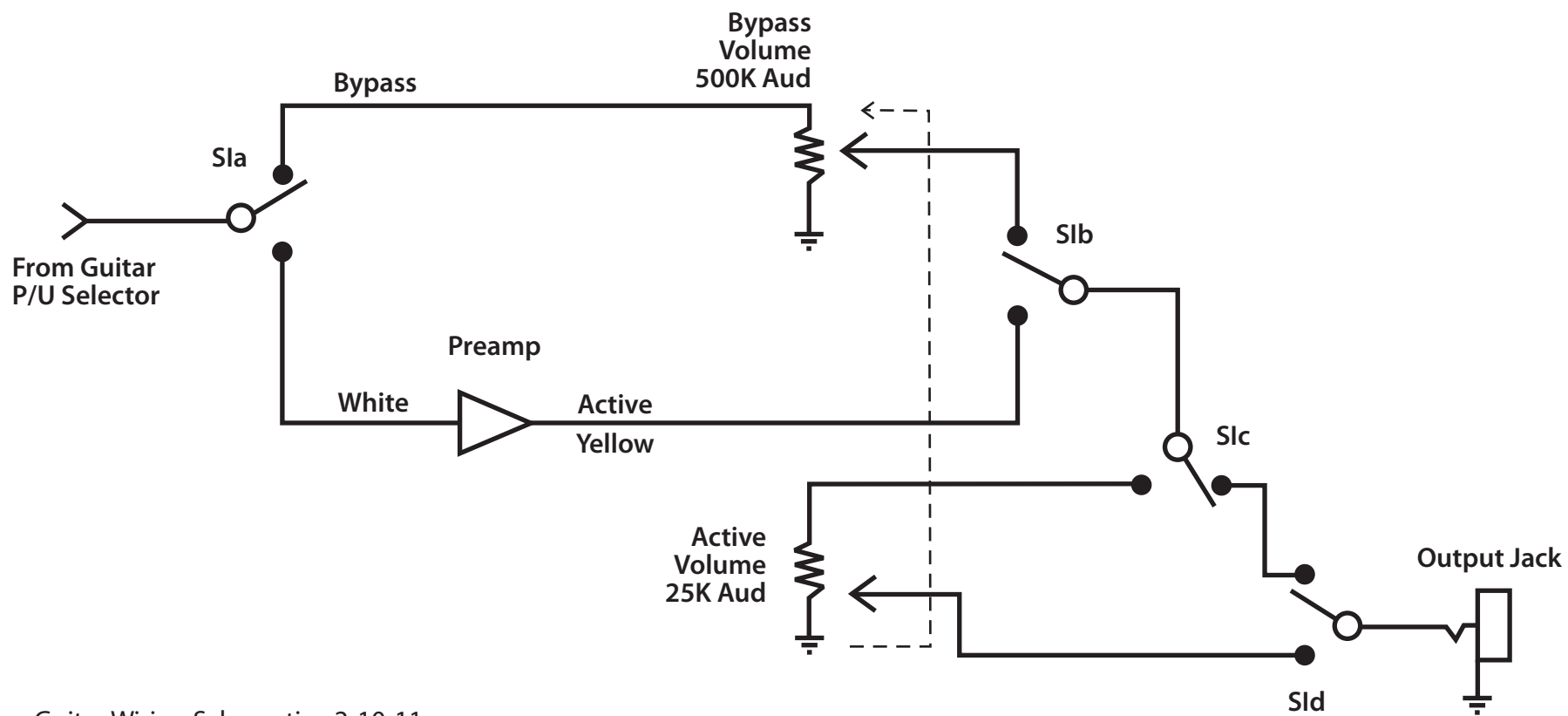


## Guitar Wiring Schematic: Dual Element Volume Pot and Bypass Switch



Guitar Wiring Schematic - 2-10-11  
Active / Bypass with Dual Element  
Volume Pot & Bypass Switch